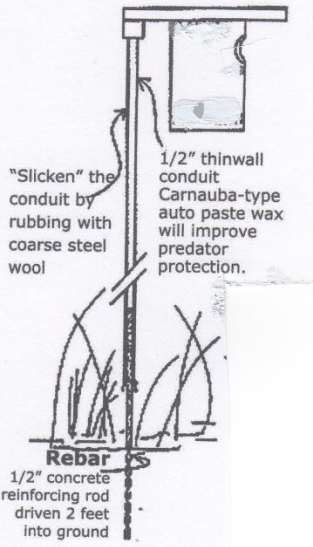


Modified Gilbertson PVC Bluebird Nest Box

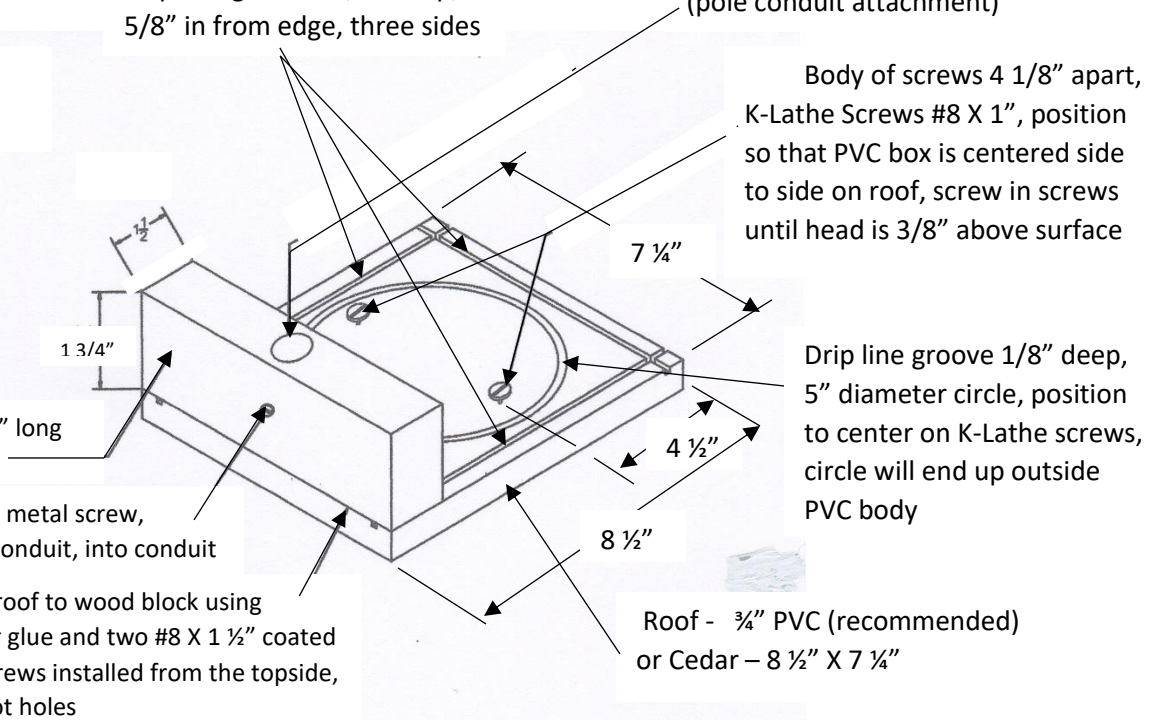


Roof

Drip line grooves 1/8" deep,
5/8" in from edge, three sides

23/32" hole X 1 3/4" deep
through wood block, center as
shown, do not penetrate roof
(pole conduit attachment)

Assembly



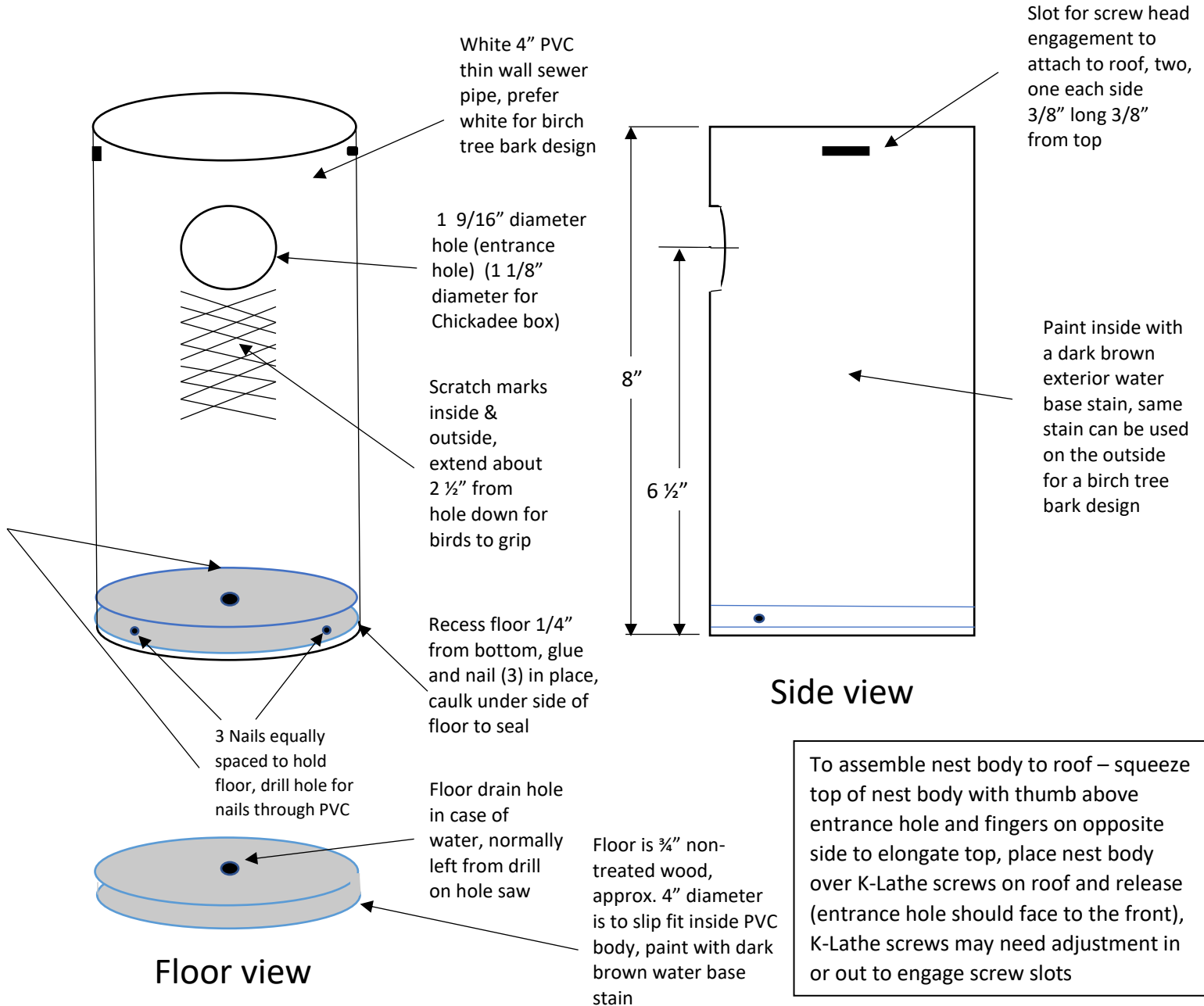
Material List for Roof

- 1 - 8 1/2" X 7 1/4" X 3/4" Cedar or PVC (PVC is recommended) PVC house trim works well (roof)
- 1 - 1 1/2" X 1 3/4" X 7 1/4" Cedar or other wood (a 2X 4 cut in half works well), paint if not cedar (wood block)
- 2 - K-Lathe screws #8 X 1" (for PVC nest body attachment)
- 2 - Coated deck screws #8 X 1 1/2" (attach roof to wood block)
- 1 - Self-tapping sheet metal screw #8 X 3/4" (for pole attachment)
- 1 - Small amount of exterior glue (roof to wood block)
- 1 - Pole assembly

(OVER)

Page 1 of 2

Nest Box Body



Material List for Nest Box Body

- 1 – 4" thin wall PVC sewer pipe 8" long (prefer white for birch pattern) Material spec. ASTM2729 PVC (body)
- 1 – 3/4" thick X approx. 4" diameter non-treated wood (floor)
- 3 – Small tack nails to attach floor (about 1/2" long)
- 1 – Small amount of exterior glue to attach floor
- 1 – Small amount of dark brown exterior caulk to seal edge of floor
- 1 – Small amount of dark brown exterior water base stain for inside body and if desired exterior birch bark pattern