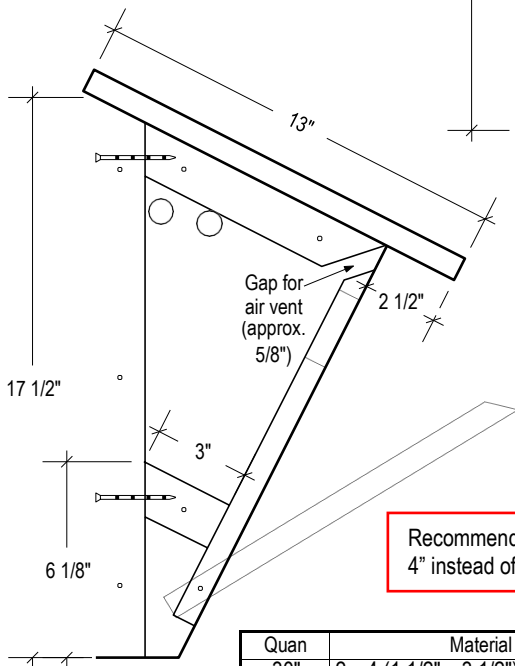
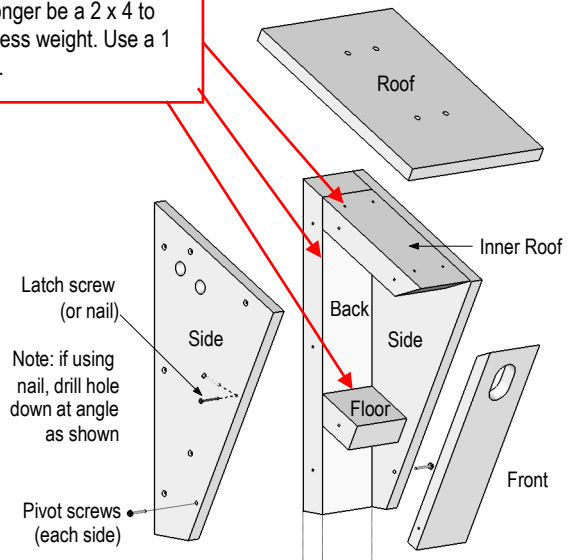
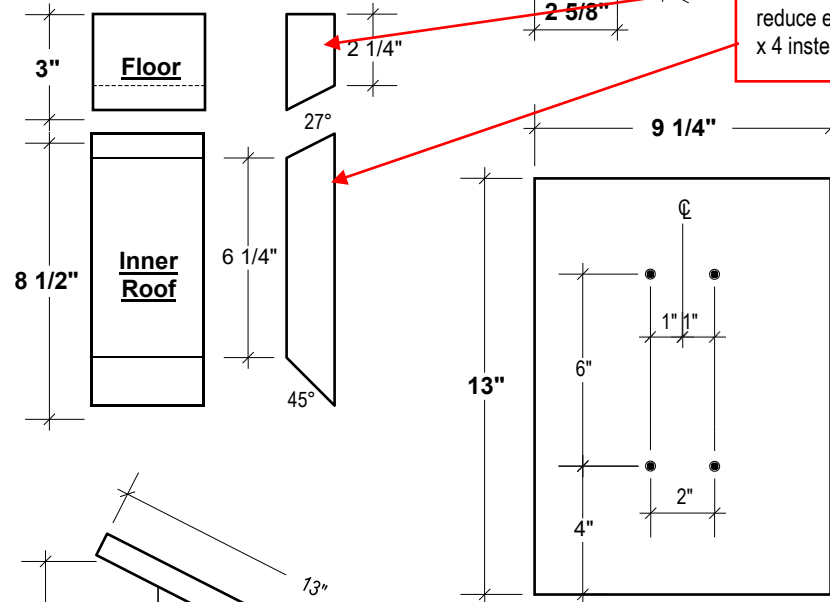
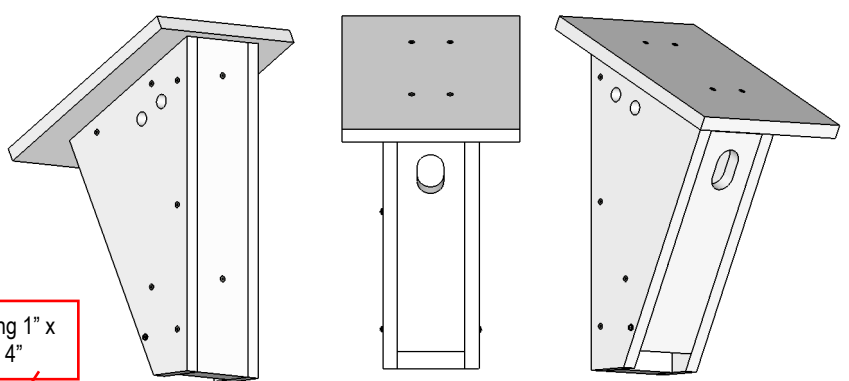


It is recommended that the back board, floor & inner roof board no longer be a 2 x 4 to reduce excess weight. Use a 1 x 4 instead.



Recommend using 1" x 4" instead of 2" x 4"



**Side View cross section**

Quan	Material	Use
30"	2 x 4 (1 1/2" x 3 1/2")	Back, Inner Roof, Floor
45"	1 x 10 (3/4" x 9 1/4")	Sides, Roof
12 1/2"	1 x 4 (3/4" x 3 1/2")	Front (door)
18	#8 x 1 5/8" exterior wood screws	General assembly
2	#8 x 2 1/2" exterior wood screws	Back to inner roof, floor

**Peterson**  
 Bluebird Nestbox  
 Front opening, bottom pivot  
 Designed by Dick Peterson  
 Drawn by: Fred Stille, Sr.    Version 1.2, May 5, 2022    Page 1 of 1