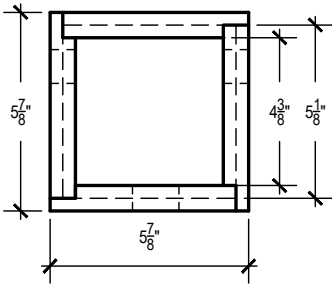
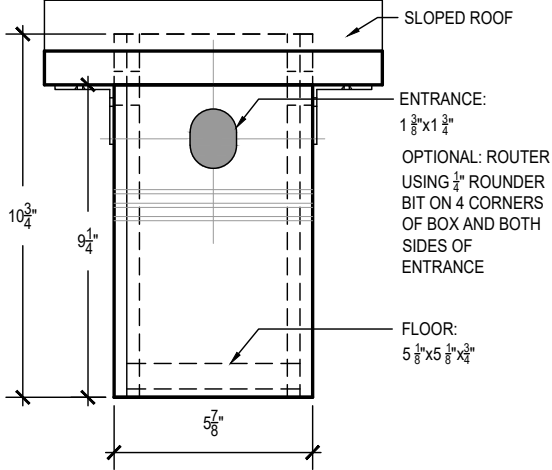


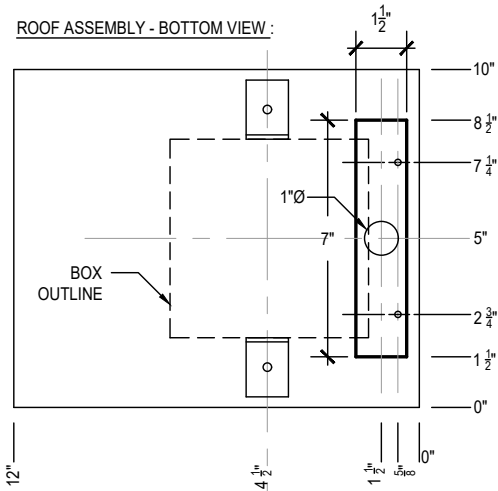
**PLAN SECTION:**



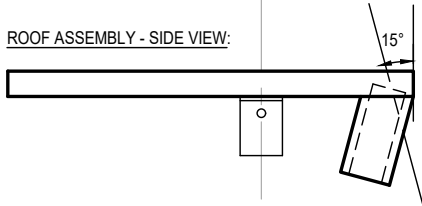
**FRONT VIEW:**



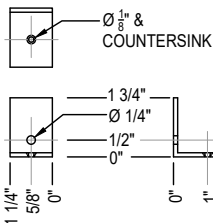
**ROOF ASSEMBLY - BOTTOM VIEW:**



**ROOF ASSEMBLY - SIDE VIEW:**



**MOUNTING BRACKET:**

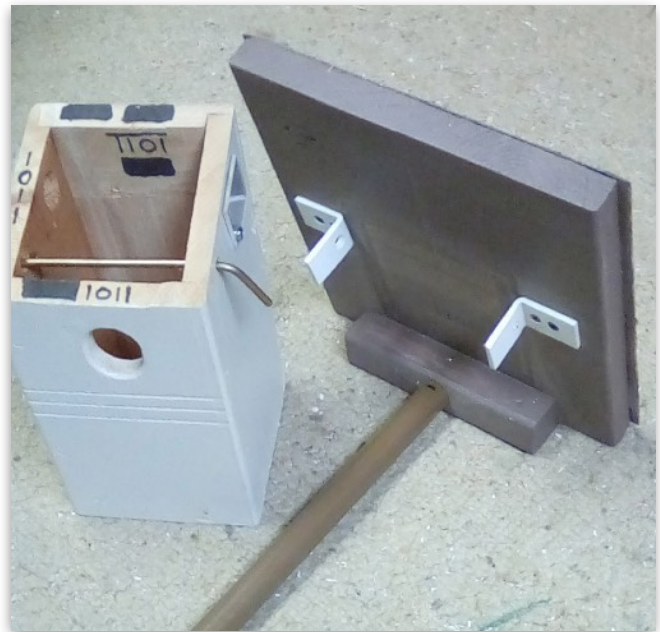


**Roof/Pole/Spike Assembly**

1. Make Roof:
  - A. Cut 10" x 12" Board (solid wood preferred over plywood).
  - B. Cut (2x4x7) board in half on a 15° angle.
  - C. Glue & screw (using 2" screw) mounting block to roof per drawing.
  - D. Drill 1" hole in mounting block at 15° angle per drawing.
  - E. Make mounting brackets per drawing.
  - F. Using 1" screws, mount brackets to roof per drawing.
  - G. Shingle or Metal glad roof.
2. Make Pole:
  - A. Cut 1" diameter recycled garage door pipe tubing to 5' length.
  - B. Drill and tap mounting holes per drawing.
  - C. Paint pole with chocolate brown water-based enamel.
  - D. Insert 1/4-20 set screws in tapped holes (2x).
- 3 Assemble pole to roof:
  - A. Insert pipe in 1" hole in mounting block:
  - B. Drill 0.090" hole thru mounting block and Pipe per drawing.
  - C. Insert Pin in hole and staple pin to mounting block.
4. Make Spike:
  - A. Cut 1/2" or 5/8" rebar to 5' length.
  - B. Grind bevel on one ground end.
5. Miscellaneous:
  - A. Cut window screen to 1.75" x 1.75".
  - B. Staple screen to box over each 1" vent hole.
  - C. Cut clear plastic window to (1.75" x 1.75") and drill  $\varnothing 0.125"$  hole in one corner, 0.25" from each side.]
  - D. Center plastic window over screened vent hole, with mounting hole in lower right corner, and drill pilot hole for (#8 x 0.75") Pan Head screw and install screw to box both sides.
  - E. Drill  $\varnothing 0.101"$  hole in mounting block thru 1" pipe and insert pin.
  - F. Bend pin over and staple to mounting block.

**Site Installation**

1. Select an open area free from trees and brush.
2. Drive spike 30" into the ground
3. Slid Pole/Roof/Box assembly over spike and tighten set



**HAUSER BOX  
 BLUEBIRD NESTING**

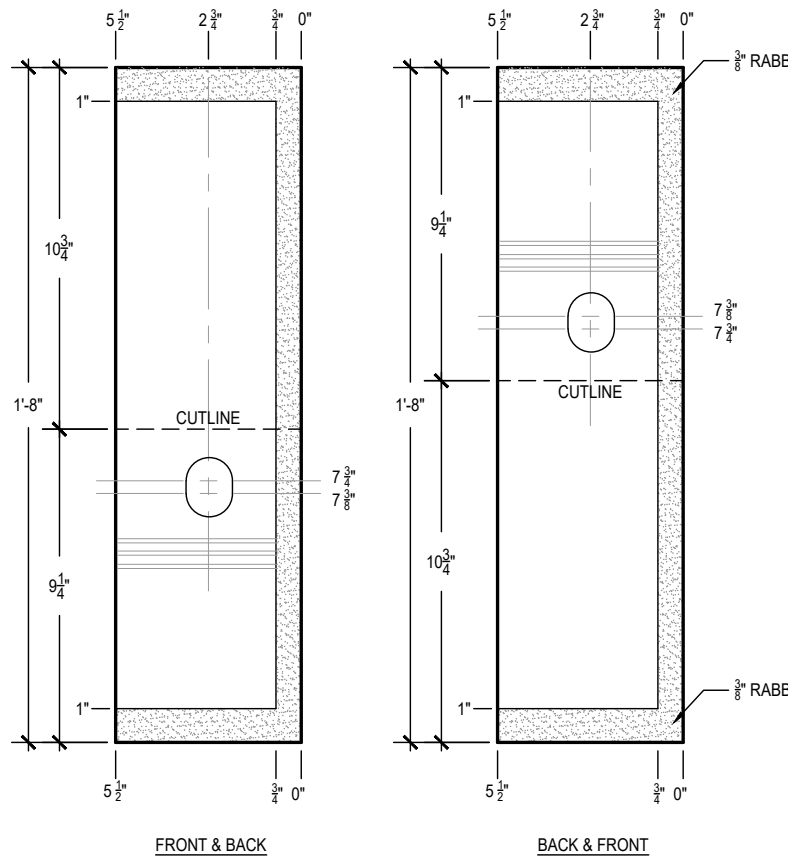
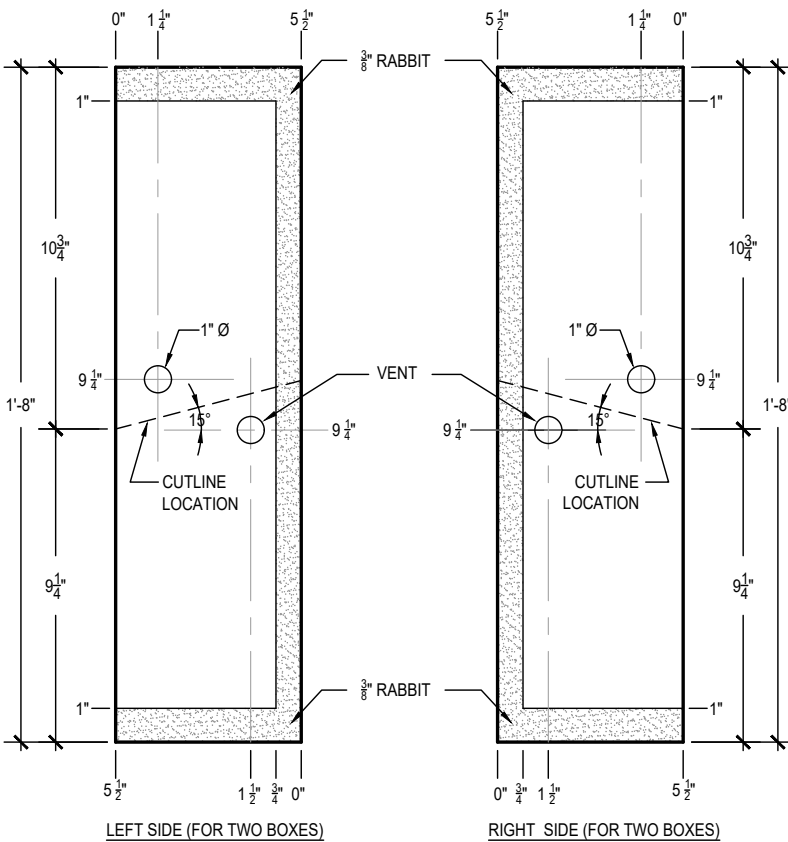
Original Hauser Box Design by John G. Hauser

**Procedure for the Log Box (2 blue bird boxes):**

- I. Make four identical blank boards:
  - A. Cut 4 (1 x 6) boards, 20" long (Actual dimensions are: 5.5" x 0.75" x 20").
  - B. Cut (0.375 x 1.0 x 5.5) Dado rabbet on the rough sawn surface of each board (8X).
  - C. Cut (0.375 x 0.75 x 20) Dado rabbet on the rough sawn surface of each board (4X).
- II. Drill vent holes in two boards:
  - A. Orient each board and label: "L" & "R" for Left & Right ss shown on drawing
  - B. Drill 4 holes using a 1" Forstner Bit per drawing.
- III. Drill Entrance holes in two boards:
  - A. Orient two remaining boards and label: "F" & "B" for Front & Back ss shown on drawing,
  - B. Drill top entrance hole, index board 3/8" and drill lower entrance hole using a 1.375" Forstner bit per drawing. Drill out center tab.
  - C. Using Router with 1/4" rounder bit, machine entrance hole both sides.
- IV. Machine entrance ladder, both sides:
  - A. Set table saw blade height to 1/16".
  - B. Score first line 1/2" below bottom edge of entrance hole.
  - C. Using 1/2" spacing, score 2 more lines below first line.
- V. Assemble 4 boards to form log:
  - A. Orient boards BRFL (Left to Right) with long rabbet to your right.
  - B. Using Titebond III, glue long rabbet.
  - C. Assemble and clamp all four boards.
- VI. Assemble Floor (2X):
  - A. Cut (5 1/8" x 5 1/8" x 3/4") board (2X).
  - B. Using Titebond III, glue floor per drawing.
- VII. Cut Log in half at a 15° angle forming 2 boxes per drawing.
- VIII. Nail all 8 corners (sides & floor) with (2") 18 gauge brads (24X)
- IX. Paint outside only and add windows and screens per drawing.

**Materials:**

1. Pine (1x6) Board 8' long.
2. Pine (2x4) board 7" long
3. Pine (1 x12) board 12" long.
4. Recycled piece of Plastic fence post from a Fence Company.
5. Recycled garage door pipe from a Garage Door Company.
6. Wire from recycled clothes hanger.
7. Clear plastic sheet 0.125: thick.
8. Screws, Pan Head two (#8 x 0.75").
9. Screws two 2" sheet rock #10.
10. Screws two 1" sheet rock #10.
11. Set Screws, two, 1/4-20.
12. Scrap piece of window screening.
13. Titebond III glue.
14. Paint, Flat Biege water based.
15. Paint, water based, high gloss enamel, chocolate brown.
16. Roofing Shingle
17. Staples 9/16" long
18. Rebar, 1/2" or 5/8" diameter 5' long.



**HAUSER BOX**  
**BLUEBIRD NESTING**  
 Original Hauser Box Design by John G. Hauser